

# DOUBLE ENDED

CAST IRON CLAWFOOT

60 x 30 x 23

A beautiful vintage tub that will become the centerpiece of any bathroom. The Double Ended tub is an old world vintage style tub with claw feet and a center drain that is available as a soaker tub.



JETSTREAM WORKS

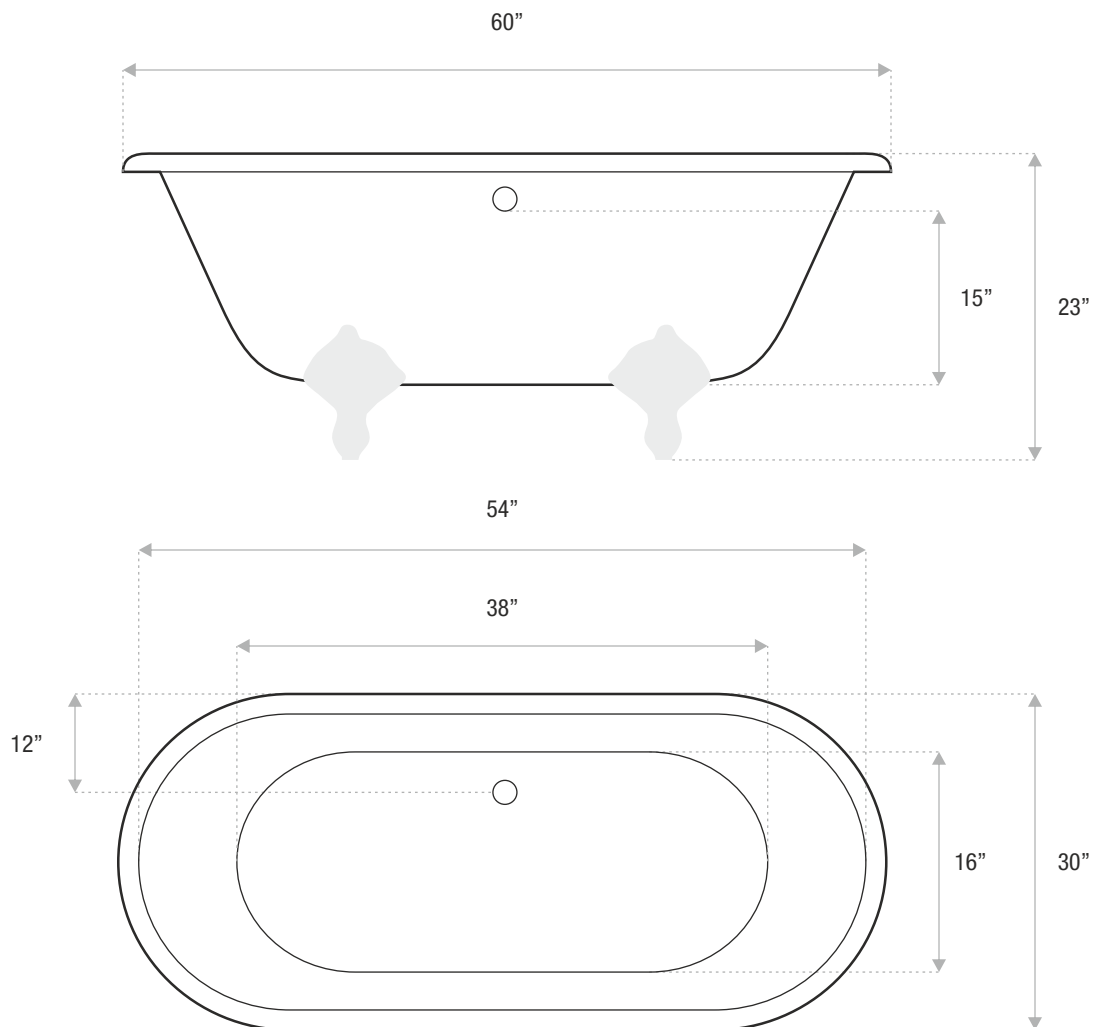
Sizes

60x30x23

66x30x23.5

73x32x26

Drain and faucet sold separately / chrome feet included / other finishes sold separately



## DETAILS

- Shape: oval
- Type: cast iron
- Finish: high gloss
- Freestanding: yes
- Drop-in: no
- Skirted: no
- Water jets: no
- Air jets: no
- Empty weight: 308
- Gallons to fill:
- Faucet type: floor / wall
- Special colors and finishes: yes

# DOUBLE ENDED

CAST IRON CLAWFOOT

66 x 30 x 23.5

A beautiful vintage tub that will become the centerpiece of any bathroom. The Double Ended tub is an old world vintage style tub with claw feet and a center drain that is available as a soaker tub.



JETSTREAM WORKS

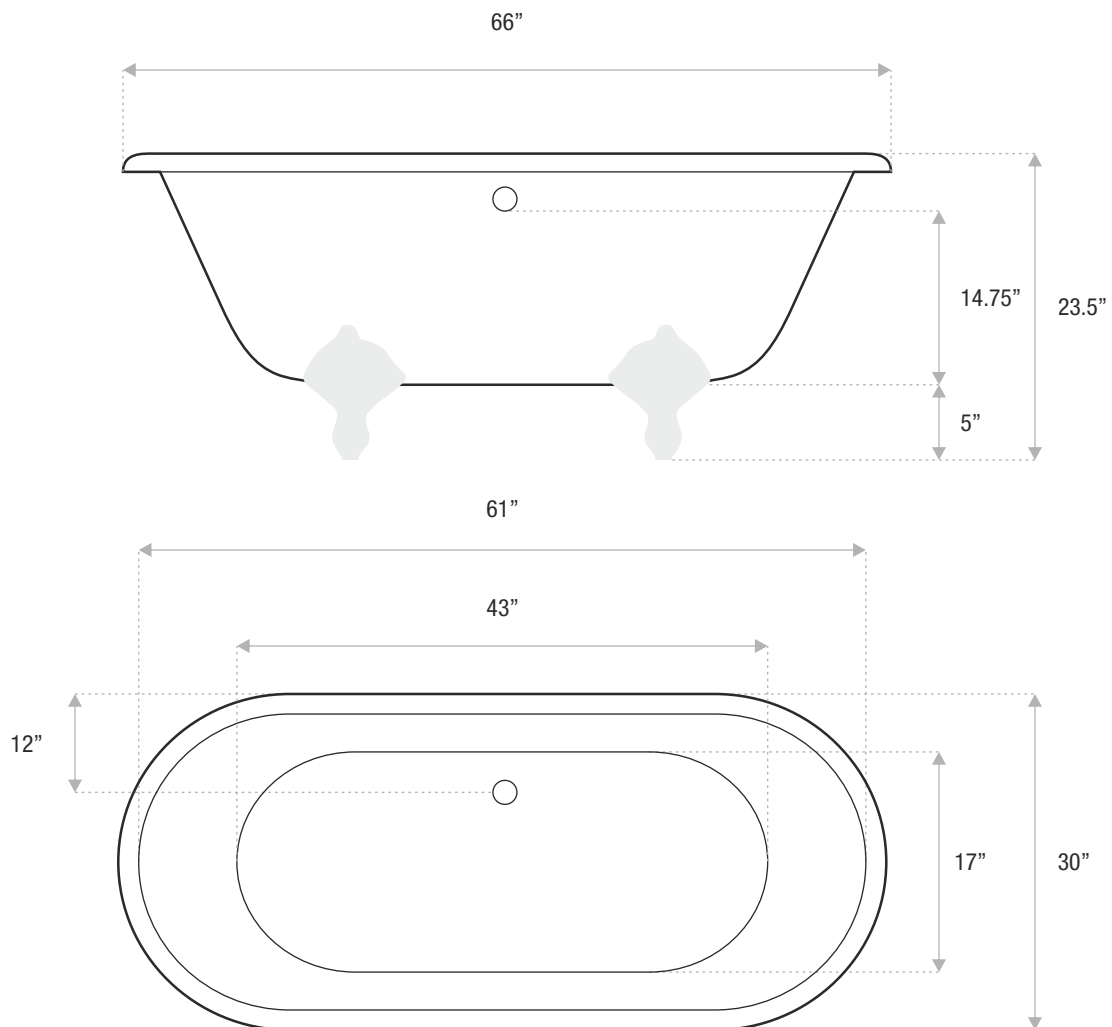
Sizes

60x30x23

66x30x23.5

73x32x26

Drain and faucet sold separately / chrome feet included / other finishes sold separately



## DETAILS

- Shape: oval
- Type: cast iron
- Finish: high gloss
- Freestanding: yes
- Drop-in: no
- Skirted: no
- Water jets: no
- Air jets: no
- Empty weight: 334
- Gallons to fill: 70
- Faucet type: floor / wall
- Special colors and finishes: yes

# DOUBLE ENDED

CAST IRON CLAWFOOT

73 x 32 x 26

A beautiful vintage tub that will become the centerpiece of any bathroom. The Double Ended tub is an old world vintage style tub with claw feet and a center drain that is available as a soaker tub.



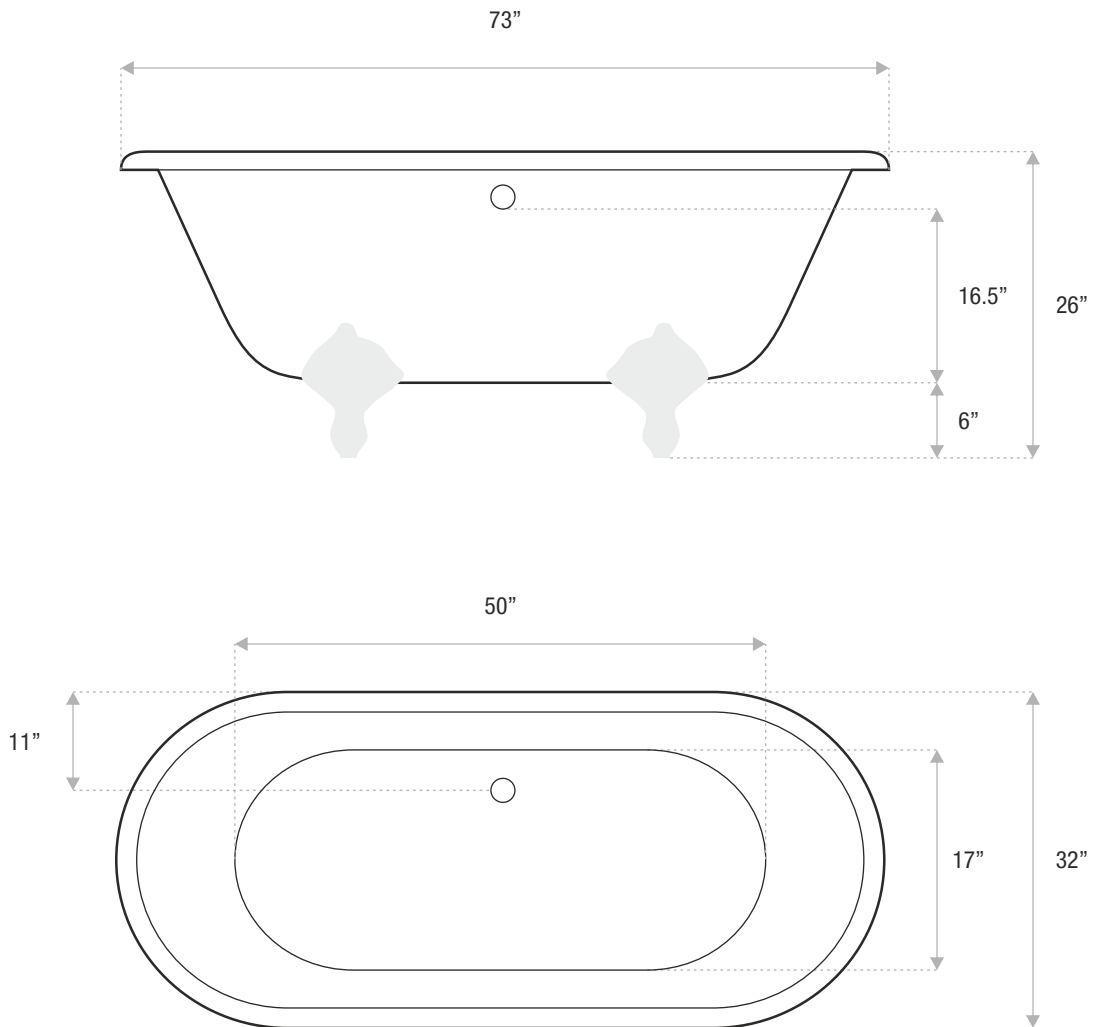
Sizes

60x30x23

66x30x23.5

73x32x26

Drain and faucet sold separately / chrome feet included / other finishes sold separately



## DETAILS

- Shape: oval
- Type: cast iron
- Finish: high gloss
- Freestanding: yes
- Drop-in: no
- Skirted: no
- Water jets: no
- Air jets: no
- Empty weight:
- Gallons to fill:
- Faucet type: floor / wall
- Special colors and finishes: yes