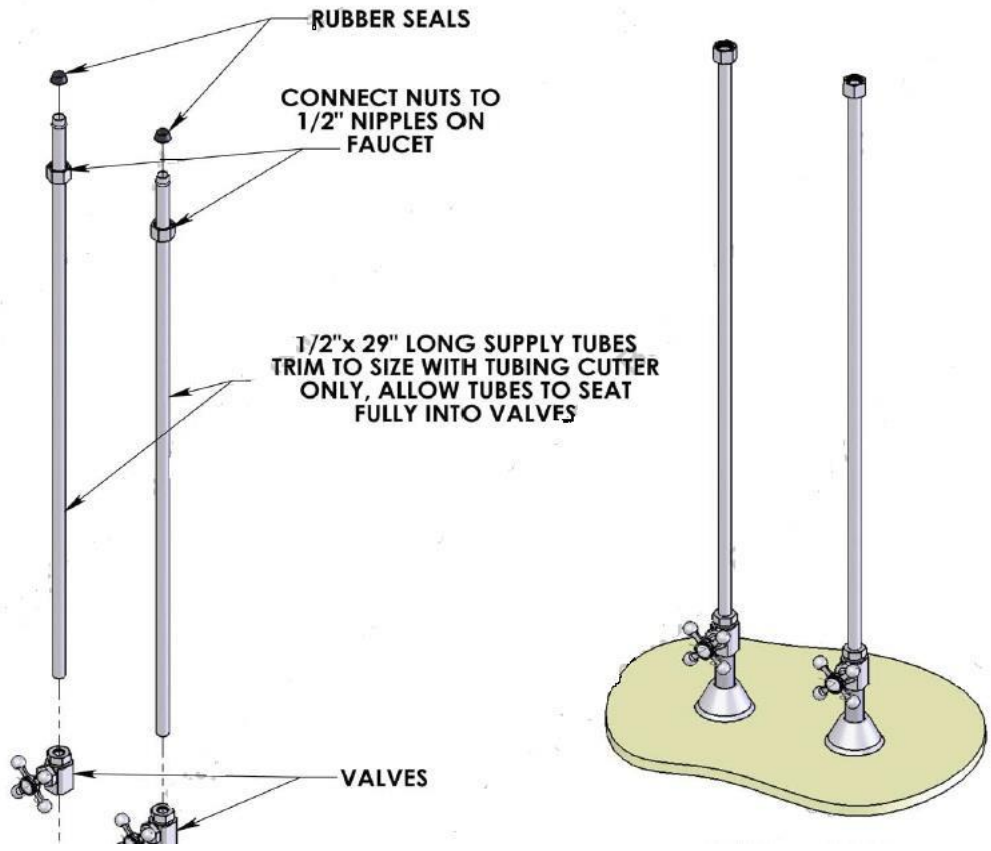
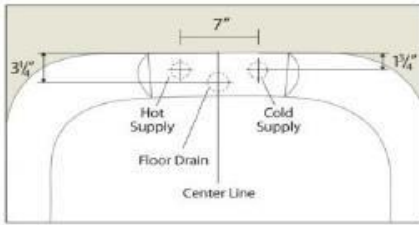


Deck Mount Faucet Installation

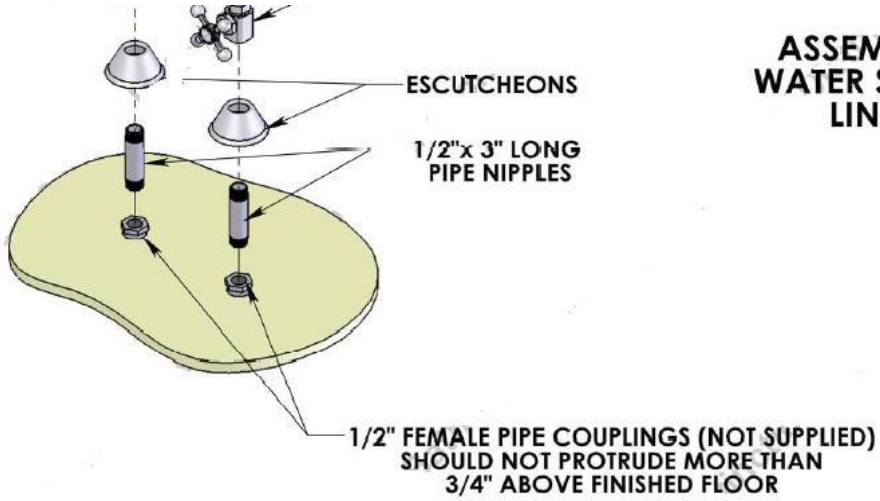


Classique Soaking Tubs

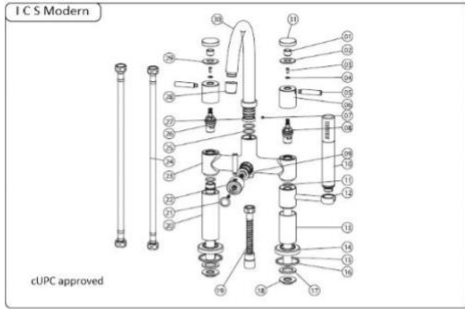
Typical 7" Deck Mount Faucet With Regular Drain



Measurements to be used for rough-in plumbing only



**ASSEMBLED
WATER SUPPLY
LINES**

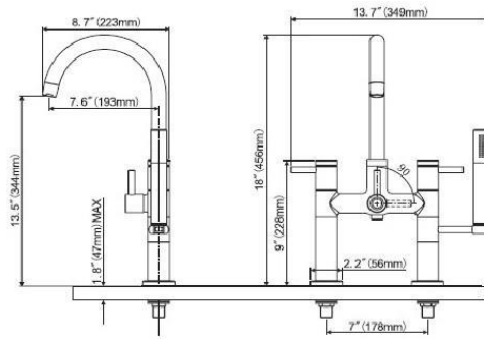


Component Parts List

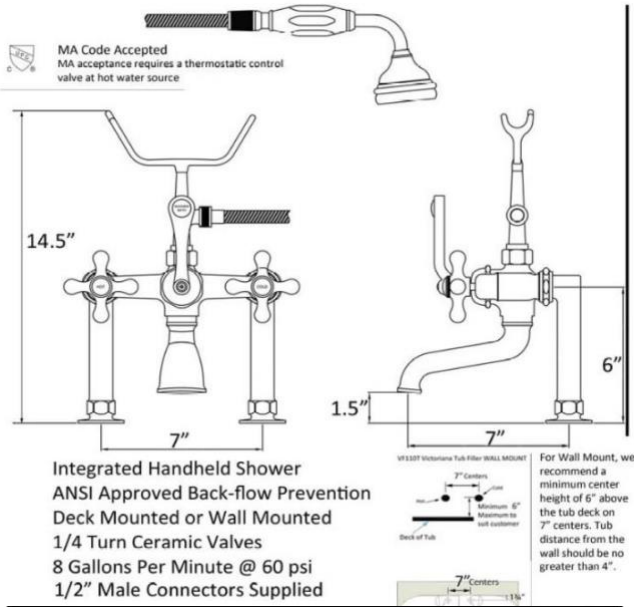
#	PART NAME	QTY	#	PART NAME	QTY
01	BODY	2	21	BACK BUTTON	1
02	INDEX RING/O-RING	1	22	HANDLE	1
03	SCREW	3	23	HOUSING	1
04	O-RING	3	24	HOSE	2
05	HANDLE LEVER	3	25	O-RING	2
06	HANDLE	2	26	CAP/THUMB	1
07	SCREW	1	27	SWAP RING	1
08	CARTRIDGE	1	28	ACTUATOR LEVER	1
09	O-RING	1	29	INDEX RING(OPT)	1
10	HEAD SHOWER	1	30	SPOUT	1
11	O-RING	2	31	END CAP	2
12	HAND SHOWER HOLDER	1			
13	SLEEVE EXTENSION	1			
14	DECOMPRESSION RING	2			
15	CONNECTOR	2			
16	O-RING	2			
17	WASHER	2			
18	LOCK NUT	2			
19	HOSE	1			
20	SLEEVE EXTENSION	1			

#10 handheld has built in back flow prevention valve.

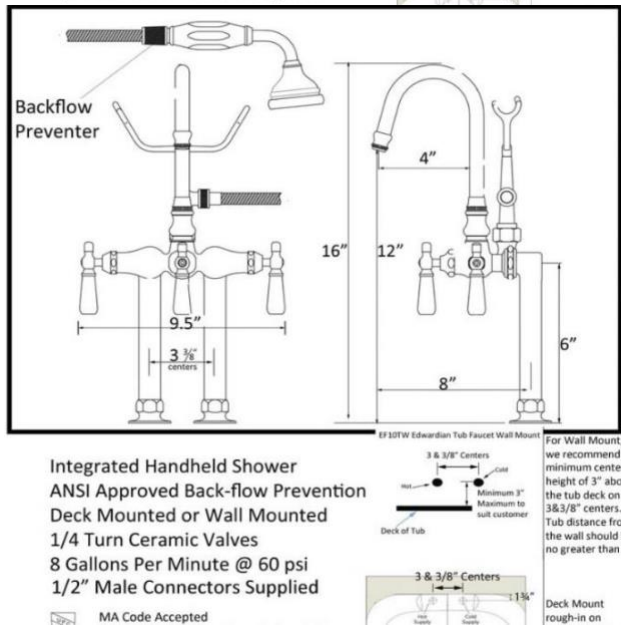
Specification Sheet



Modern Twin Valve Faucet Drawing



Integrated Handheld Shower
ANSI Approved Back-flow Prevention
Deck Mounted or Wall Mounted
1/4 Turn Ceramic Valves
8 Gallons Per Minute @ 60 psi
1/2" Male Connectors Supplied



Integrated Handheld Shower
ANSI Approved Back-flow Prevention
Deck Mounted or Wall Mounted
1/4 Turn Ceramic Valves
8 Gallons Per Minute @ 60 psi
1/2" Male Connectors Supplied

Place your faucet water line centers 3 " from the edge of the tub.
 The Edwardian faucet is made on 3 & 3/8" centers but use 7 " centers , we ship them adjusted to 7 " .