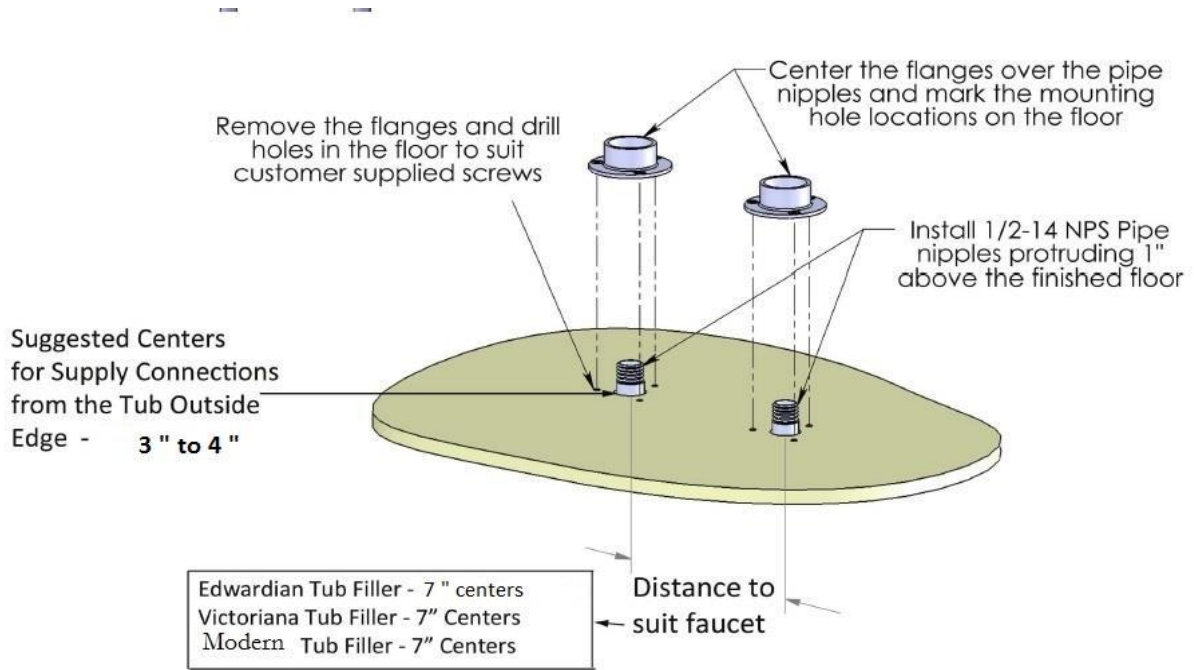
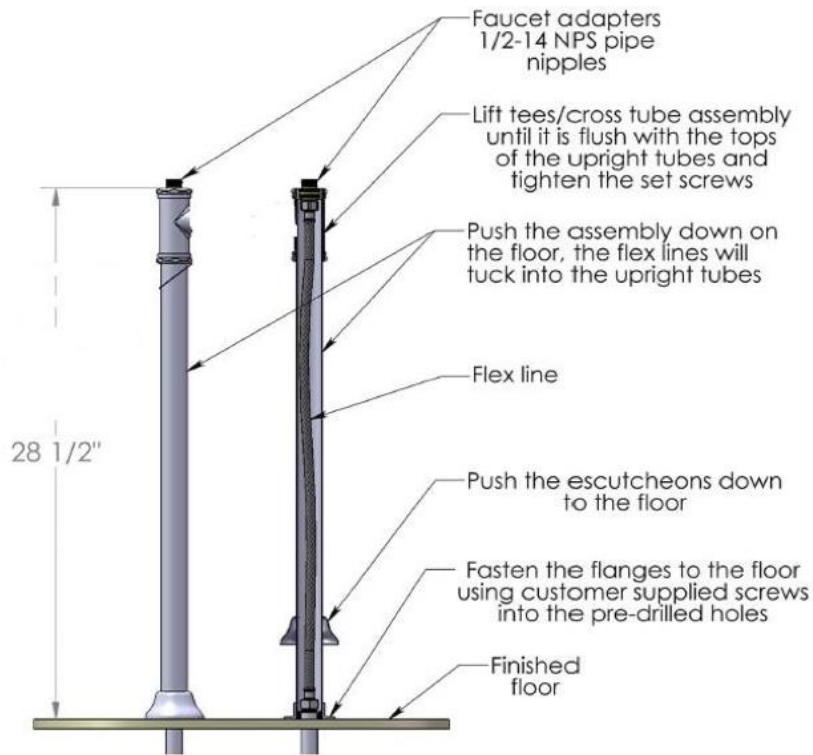


Freestanding Floor Mount Faucet Assembly

Build from Bottom up;



Freestanding Rigid Supply lines



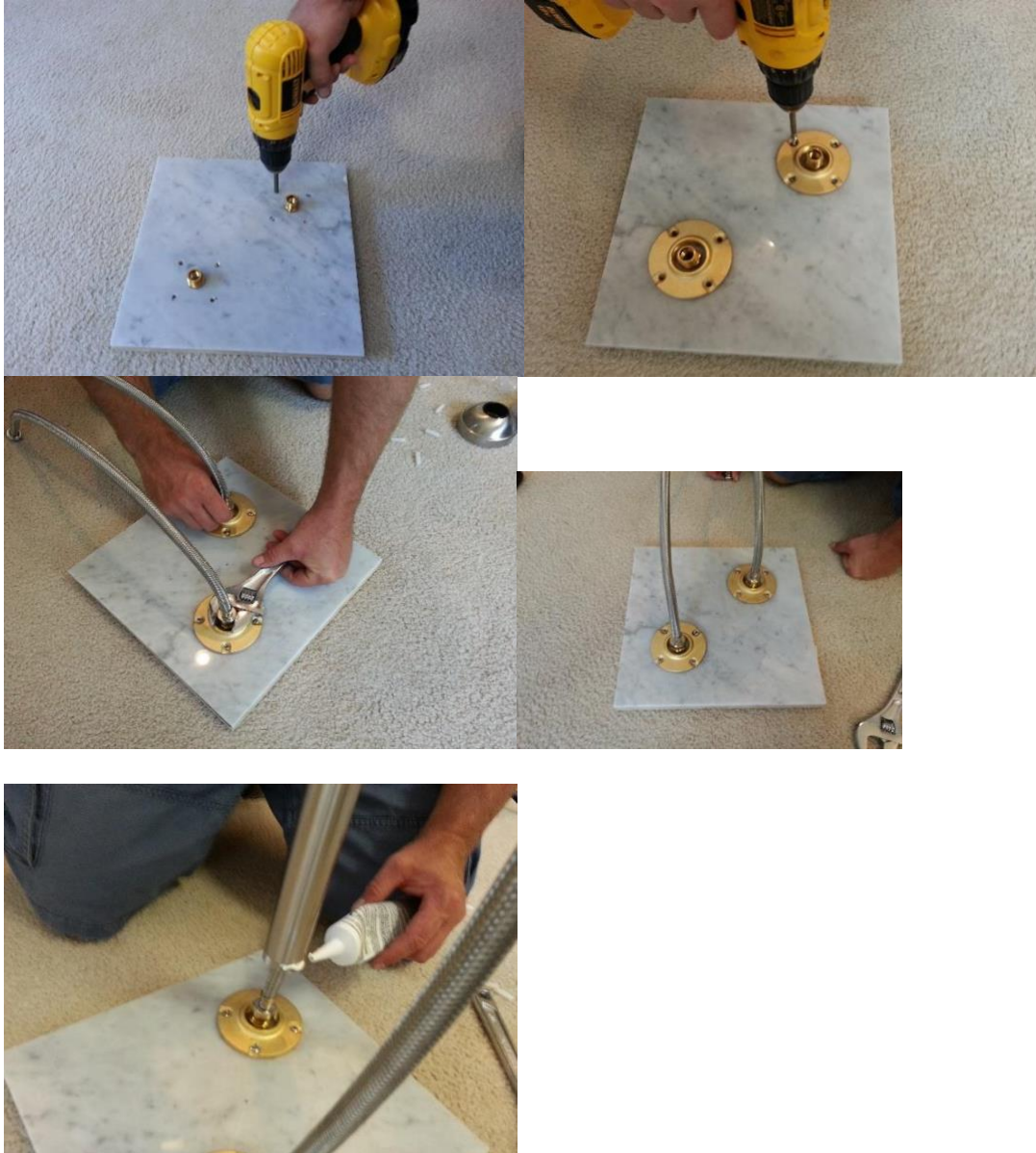
Faucet Free stands Pictorial;

Your Rough should have two 1/2 " male adapters just above the finished floor on 7 " centers.

Mark and drill 1/4 " holes for Tacon Screws Use wood screws or other depending on floor.

Install screws , anchors , or bolts to hold base plates Flat and secure to floor.

Attach included flex water lines to 1/2 " male adapters Do not overtighten. Hand tight plus 1/2 turn.



Lower Stands over the flex water supplies. Add caulk or Lock Tight to threads and screw stands all the way down !

Lower Escutcheons over stands.
Lower all parts on these stands now

If using optional wall supports Lower the circle mounts over the stands.

remove screws or damage the stands finish.

If using the optional H bar ?

Remove screws and check inside for burrs from the screws holes. Sand away if present or damage the stands finish!



Remove screws from hand held, use washer. Hand held bracket on Modern Faucet Only Install high near top of stand.

Install loosely so you can change location.



We try to install the faucet adapter (Brass connection between the faucet and stand)
IF we forget, Please use 7 wraps of gas pipe teflon tape in yellow and pipe dope on the top going into the faucet

Attach flex water line to the bottom of faucet / stand adapter. Use caulk at top of stand on the two O rings and brass as extra hold and tighten screws.

Push down firms and seat the brass adapter into the slotted ring stop inside the stand.



Handheld all use rubber washers !

