

## **Slotted Drain Installation**

**This easy install should only be used if the stub out drain pipe can travel up to contact tub bottom. If pipe is stuck to concrete or is tied to a joist and cannot travel, gasket will not tighten against tub bottom.**

**Helpful Hints ;**

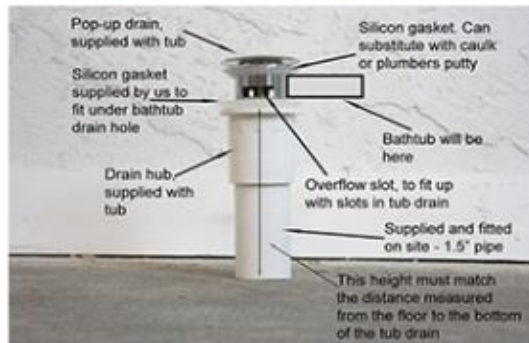
**Most likely drain height will vary if tub is moved!**

**Set tub in place & adjust feet / legs under tub, before measuring for hub height.**

**Few tile floors are flat.**

**Placing silicone on the bottom of adjustable feet / legs will prevent tub from sliding around.**

## Drain installation for one piece stone resin and one piece acrylic bathtubs



**Step 1**



Measure height from floor to this point under the bathtub drain hole. This will determine the height from the floor to the top flange of the hub supplied

**Step 2**

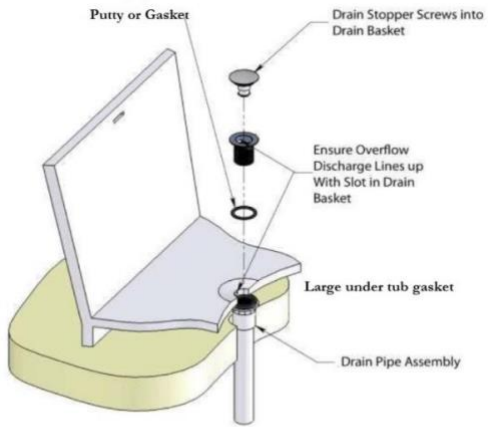


Cut pipe from floor and connect hub. Required height is from Step 1. Apply some caulk to the top flange of the hub to hold the silicon gasket in place. Lift tub over drain.

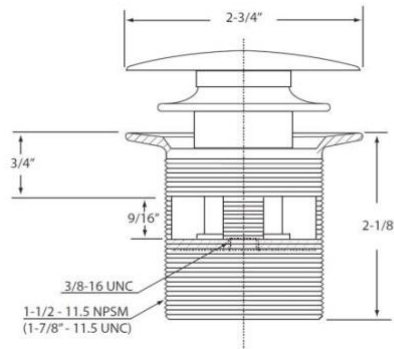
**Step 3**



Seal the top of the drain basket as noted above. Unscrew pop-up and use a basket wrench to tighten the drain basket into the hub. Allow to dry and then re-attach the pop-up, fill with water and test for leaks



During rough-in, we recommend that the 1½" drain pipe is left 6" above finished floor level before being cut to final size when tub is being installed.



Putty works better than gasket on tub.

**This installation works best to guarantee a no leak install; pg2 Check that stub out drain pipe is in correct place.**

**Place tub upside down or on side on blanket and adjust legs even with the tub bottom .**

**Measure distance from tub drain to tub bottom, usually 4 " to 6 "**

**Remove the Cap and cam from Drain Basket Cut drain stub out pipe off at the 4 " to 6 " you just measured.**

**Place tub over drain pipe. Center in place. Check for wabbles and if needed readjust legs.**

**Press rolled putty on the drain basket and install drain using a drain wrench while holding the hub. Use gasket !**





**Now you are ready to set the tub;**

**Mark max distance pipe can go inside hub.**

**Measure the distance between your mark and bottom of tub. In this example distance is 2.25 "  $4.25 - 2 = 2.25$**

**Cut drain stub out to correct Height less 1/8 Inch.**

**IN this example the distance is 2 " prox.**

**Use PVC Glue on the drain hub and stub out and place tub onto drain pipe. Do not panic if tub is not lined up perfectly or wabbles on tile floor.**

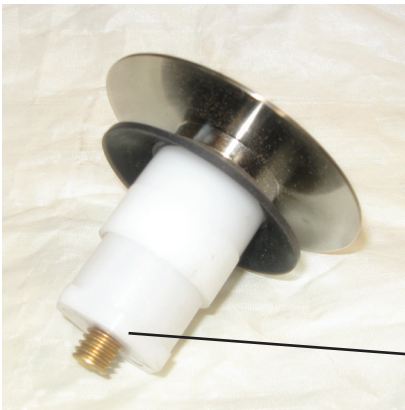
**If needed loosen the drain basket and turn tub until square with walls etc. If the tub wabbles, remove**

**the drain basket and adjust the leg heights. Reinstall the drain basket and tighten with a drain wrench.**

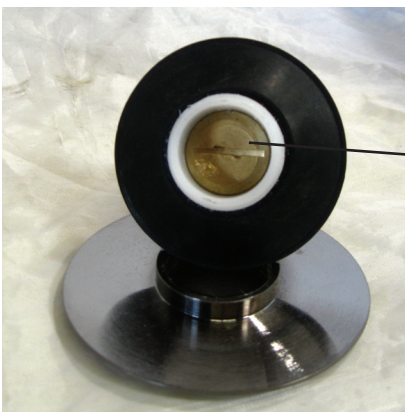
# Tip-Toe Cartridge Adjustment



1. Grab the mushroom cap and rotate it counter-clockwise to remove the cap and tip toe mechanism from the bathtub strainer.
2. Unscrew the white plastic tip toe cartridge from the metal mushroom cap.
3. Turn the large brass screw clockwise, while holding the bottom of the plastic mechanism until just tight. Use no force. Do **not** make the screw firmly tight.
4. Operate the mechanism several times to ensure it is moving freely. If it still binding, contact you local hardware store or Westbrass for a replacement mechanism.



Westbrass warrants all tip toe drains for 1 year. This includes the tip-toe cartridge, mushroom cap, seal washer and strainer body. The cartridge and washer are common plumbing items with a vast history of use by many of the finest manufacturers in the country, including Delta, Moen, Price-Pfister and Hydro Systems. Westbrass' cartridge attaches with a 3/8" - 16 screw. This is the most widely used size in the bath waste industry.



## TO CLEAN:

Do not allow your product to come into contact with any cleansers fortified with ammonia, bleach, grease-cutters or other surfactant chemicals. Soft Scrub, Dawn Liquid Soap, Palmolive or any other combined cleaners contain certain chemical components that will dissolve and remove the finish's protective coating, and eventually the finish itself. Use only plain warm water and mild soap on a soft cloth or sponge. Avoid using any sponge with a scouring pad to clean your product. It is not necessary to rub hard to remove spots.

## TO PROTECT:

An occasional application of Carnauba wax (without cleaners), like that found in Flitz Faucet Wax, Turtle Wax for Clear Coat Car Finishes or McGuire's Premium Wax, will enhance the finish lustre, reduce hard water spots and add an extra layer of protection to your finish.