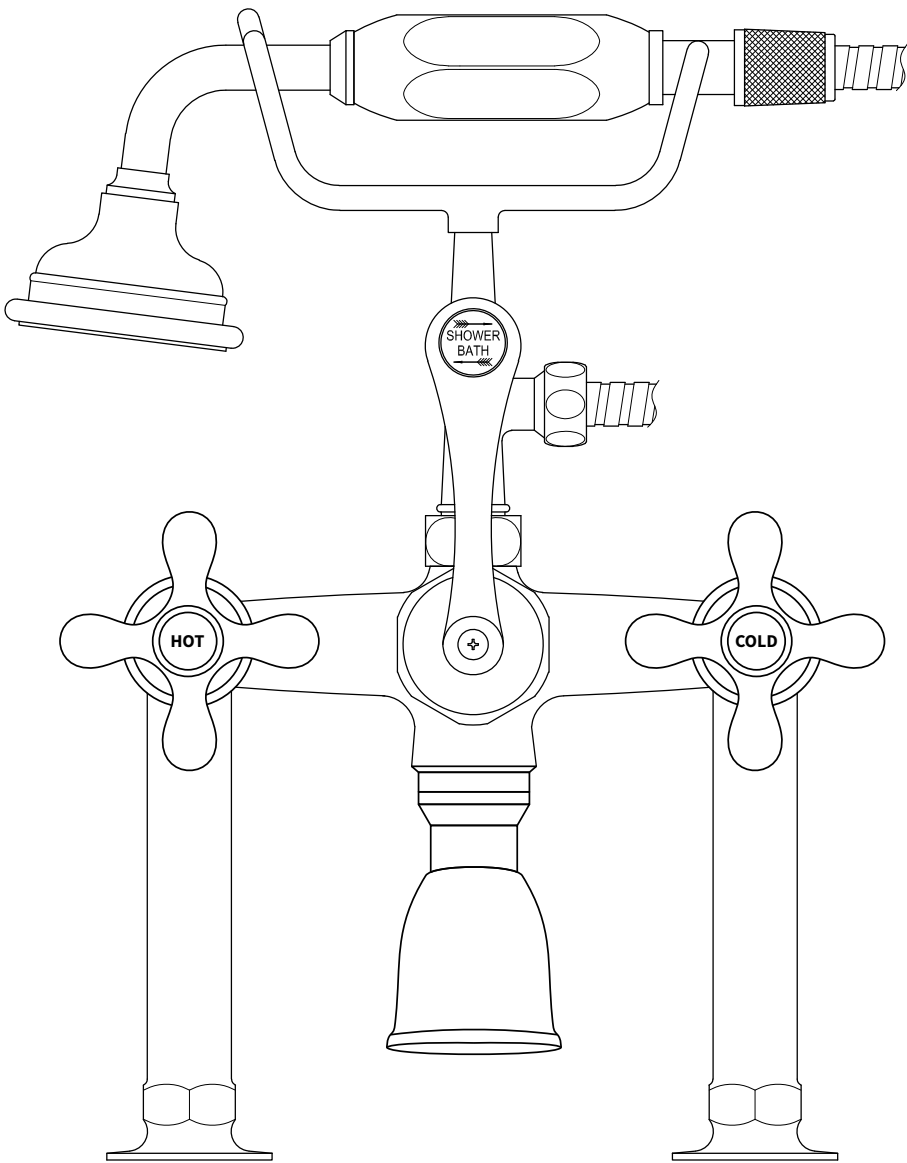




JETSTREAM WORKS

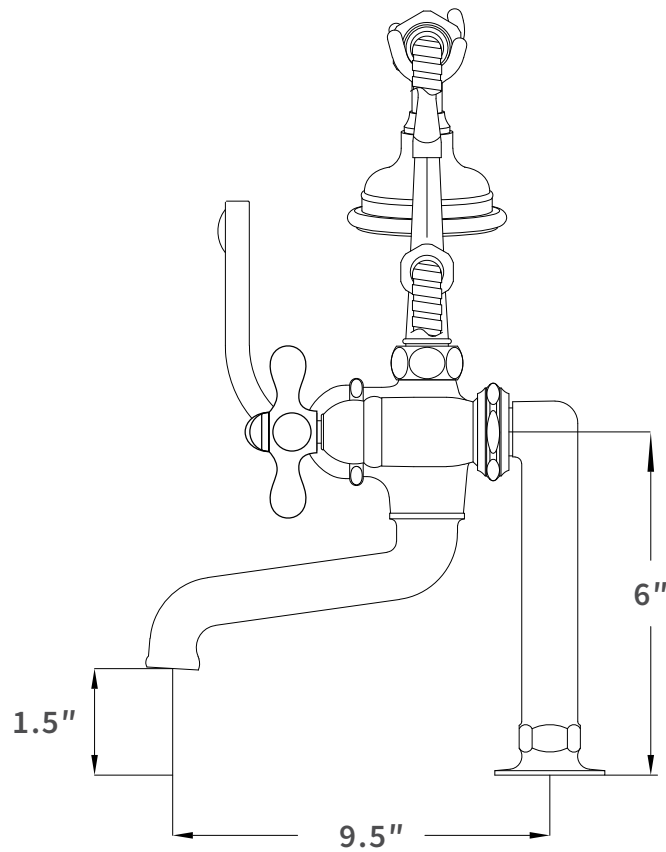
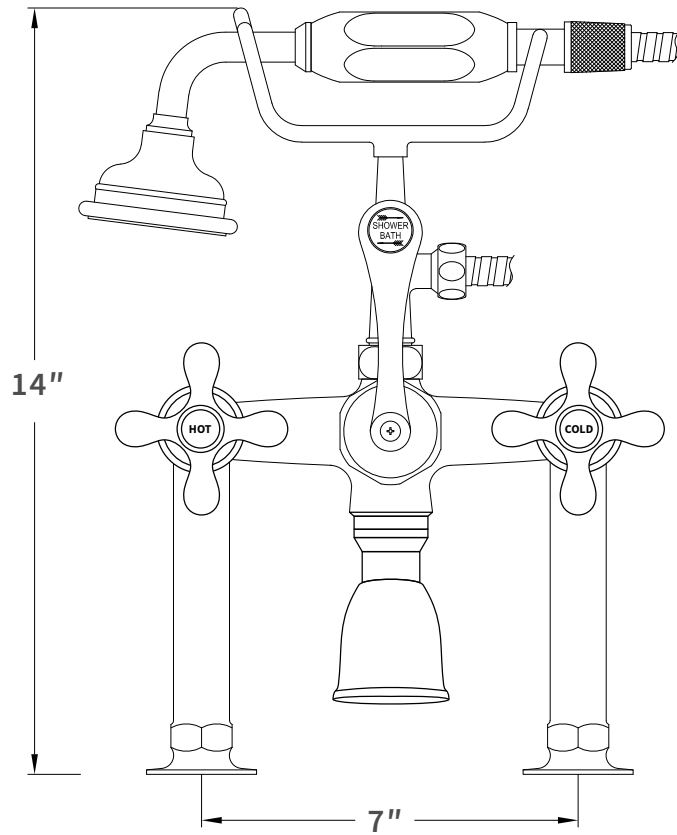
# Victorian Freestanding Tub Filler

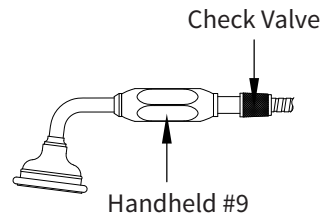
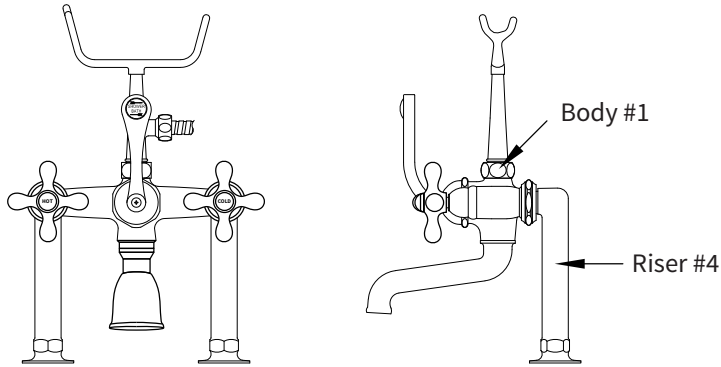
Floor Mount Tub Filler with Hand Shower



# Victorian Freestanding Tub Filler

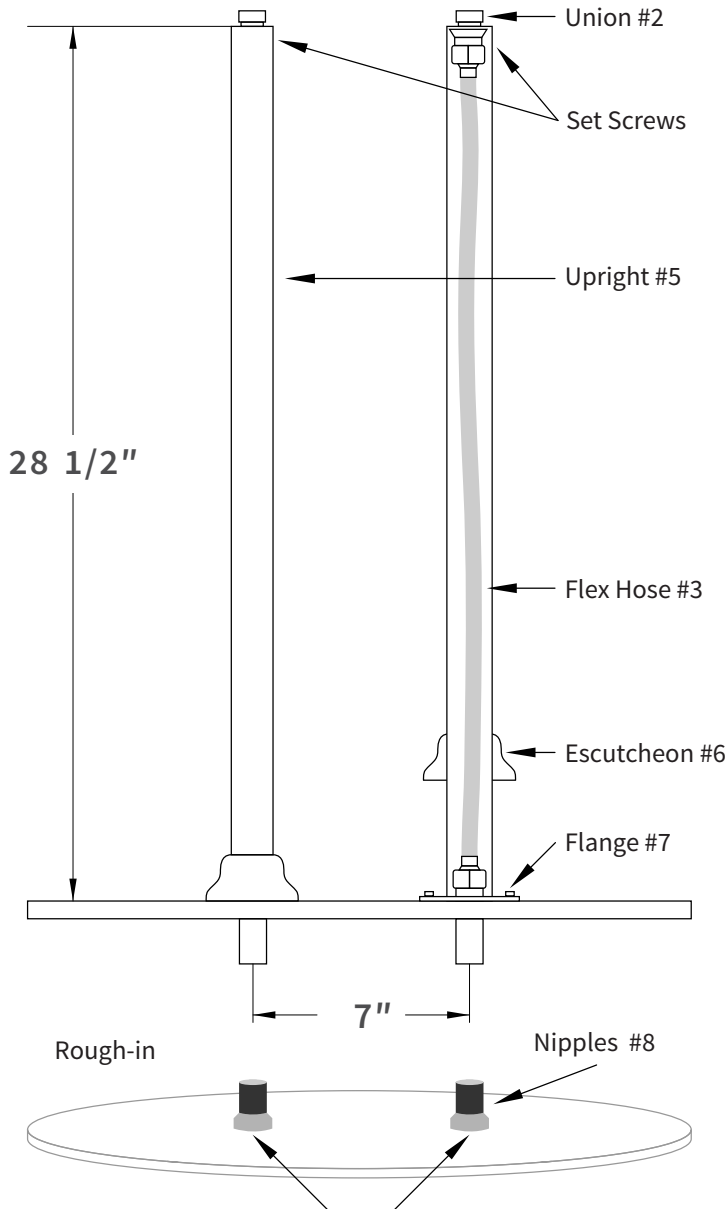
# Floor Mount Tub Filler with Hand Shower





## INSTALLATION STEPS

- A.** Prepare rough in of Nipples #8
- B.** Mark off holes for Flanges #7
- C.** Attach Flanges #7 solidly to floor
- D.** Attach Union #2 to Flex hose #3
- E.** Attach assembly at 0 to Riser #4
- F.** Slide Escutcheons #6 over uprights #5
- G.** Loosen set screws on Upright #5 and push assembly at point E inside Upright #5
- H.** Attach Flex Hose 413 to Nipples #8
- J.** Attach Body #1 to Risers #4
- K.** Support fixture and test for leaks
- L.** Gently pull assembly at I out of Uprights #5
- M.** Screw Uprights #5 all the way down into Flanges #7
- N.** Push assembly at J back into Uprights #5 and tighten set screws
- P.** Connect Handheld #9



Install 1/2-14 NPS pipe nipples protruding 1" above finished floor

Suggested position from tub edge

